

IHI

Mini Excavator

45N 55N

Standard Bucket Capacity: ISO 0.16m<sup>3</sup>

Standard Bucket Capacity: ISO 0.18m<sup>3</sup>

N  
series

POWERFUL ABILITY  
SKILLFUL AGILITY



\*Hearland Construction Equipment \* (800) 685 2843 \*hearland.com\*



Fully opening engine cover



Steel Cabin (optional depending on sales region)



TOPS Canopy

**Wide Operational Span.**  
**Large Direct-Injection Engine**  
**Built to Boost Cost-**  
**Efficiency with Big Capacity.**



Operating weight	5200kg
Bucket capacity	0.18m <sup>3</sup>
Crawler width	2000mm
Tail swing radius	1560mm
Max. digging depth	3850mm

### Top-Level Functionality

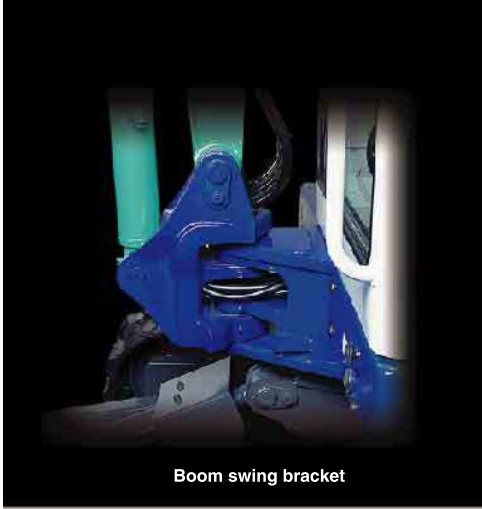
Equipped with a large-size direct-injection engine. With its wide operational span, it is able to handle big jobs with ease. The engine's lower revving speed is friendly to the environment. Using a 3-pump system developed by IHI, work speed and multitasking operations are improved. By offering a wider crawler span, it delivers a higher degree of stability. The 2-speed transmission provides both high power and mobility for travel. With an independent hydraulic system for driving, it is possible to operate the attachments while on the move, without any reduction in travel speed.

### Operator-Oriented Comfortability

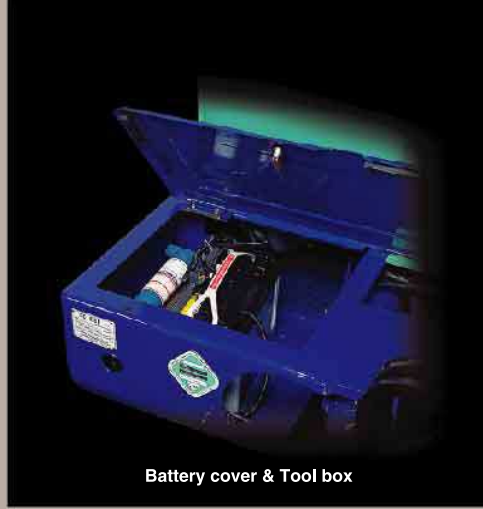
A joystick lever that affords smooth operation is equipped as standard. The standard single-piece molded reclining seat offers superior durability as well as minimal fatigue for the operator thanks to its ergonomic shape and firmness. The boom swing pedal is horizontally positioned for ease of operation, and the instrument panel features a simple and easy-to-view layout. Ease of boarding and exiting is assured by the cabin's walk-through design.

### Rugged-Application Ready Durability

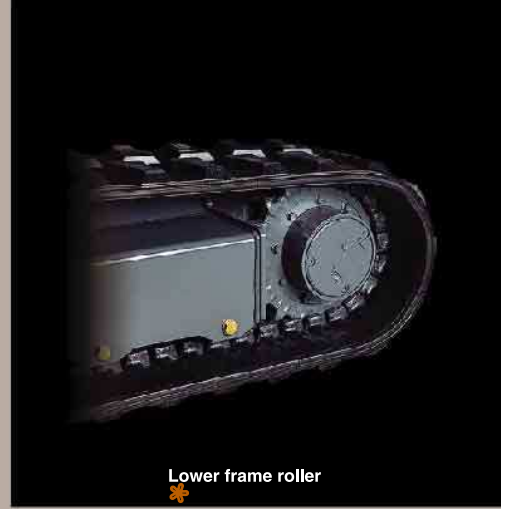
The boom foot, boom swing bracket, and drive sprocket of the rubber crawler have all been enlarged. Attachment hose is stored to protect against damage. The attachment angle of the dozer blade cylinder has been changed, while a protective cover has been added and hydraulic hoses have been segmented. There is also a protective cover for the boom light, as well as a steel sheet metal cover for the engine.



Boom swing bracket



Battery cover & Tool box



Lower frame roller



\* Heartland Construction Equipment \* (800) 685 2818 \* hcweb.com \*

45N

Operating weight	4400kg
Bucket capacity	0.16m <sup>3</sup>
Crawler width	1950mm
Tail swing radius	1530mm
Max. digging depth	3650mm

### Pursuing Safety and Eco-Friendliness

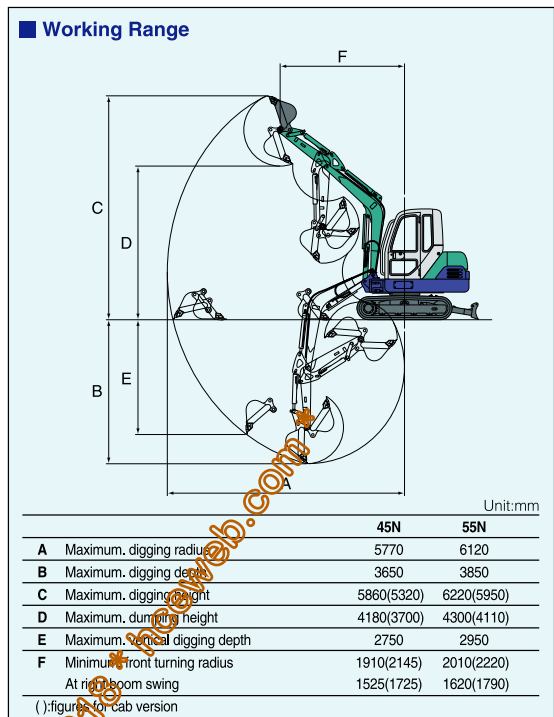
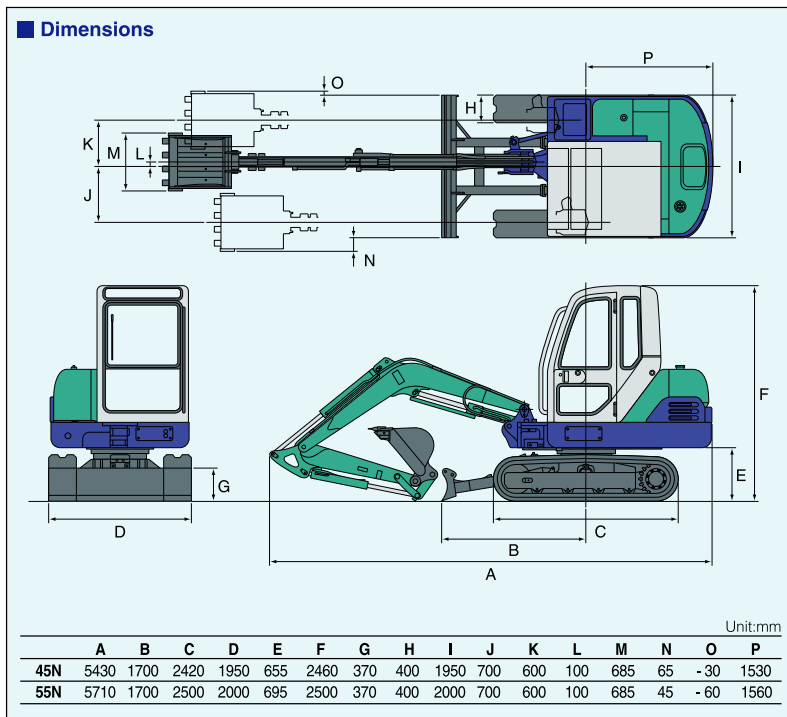
A gate lock lever and automatic swing parking brake are standard equipment. A folding type canopy and TOPS cabin are available optionally. Engine compliant with gas emission regulations set by the Japanese Ministry of Land, Infrastructure and Transport, as well as the EPA of the U.S.A.

### Easy Usability Ideal for On-Site Operation

Since the bucket can come within close proximity of the dozer blade, it is easier to scoop loose dirt and gravel. As a unique advantage of the 3-pump system, a 2-pump flow junction circuit has been employed to assure sufficient hydraulic flow to the auxiliary valve. Use of the hydraulic circuit breaker or demolition fork is thus made more efficient.

### Easy Maintenance

A fully-opening engine cover has been equipped, allowing access to filters for inspection and replacement, as well as regular maintenance of the engine, from one opening. The battery cover opens with a one-touch operation, so maintenance is extremely easy as well. The automatic air bleeder means that after you fuel up, you can power up immediately just by pressing the ON button. A water sedimenter and aluminum radiator are also equipped as standard.



**■ Specifications**

	45N		55N	
<b>● Performance</b>				
STD.bucket capacity(ISO)	0.16m <sup>3</sup>	5.6ft <sup>3</sup>	0.18m <sup>3</sup>	6.4ft <sup>3</sup>
STD.bucket width	685mm	27.0"	685mm	27.0"
Operating weight	4400kg	9700lbs	5200kg	11464lbs
Machine weight	3130kg	6900lbs	3920kg	8642lbs
Swing speed	9.0min <sup>-1</sup>	9.0rpm	9.0min <sup>-1</sup>	9.0rpm
Travel speed(low/high)	3.2/5.1km/h	2.0/3.2mph	2.6/4.6km/h	1.7/3.0mph
Gradeability	30°		30°	
Ground pressure	25.5kPa	3.7psi	30.2kPa	4.4psi
Max. bucket digging force	34.2kN	7688lbs	36.3kN	8161lbs
<b>● Engine</b>	YAM.4TNE88		YANMAR 4TNV94L	
Rated output	29.9kW(40.6PS)/2400rpm	40.1HP/2400rpm	40.8kW(55.5PS)/2400rpm	54.7HP/2400rpm
Fuel tank capacity	75L	19.8gal	75L	19.8gal
<b>● Boom swing system</b>	Boom offset with hydraulic cylinder		Boom offset with hydraulic cylinder	
Type	Boom offset with hydraulic cylinder		Boom offset with hydraulic cylinder	
Swing angle(L/R)	80°/90°		50°/90°	
<b>● Hydraulic system</b>				
Pressure	20.6MPa	2988psi	20.6MPa	2988psi
Pump hydraulic flow	60.0L/minx2+43.9L/min	15.9gpmx2+11.5gpm	64.6L/minx2+46.1L/min	17.1gpmx2+12.2gpm
<b>● Dozer blade</b>				
Size(Width x Height)	1950mmx370mm	76.8"x14.6"	2000mmx370mm	78.7"x14.6"
Lift above ground	410mm	16.1"	370mm	14.6"
Drop below ground	360mm	14.1"	390mm	15.4"

**■ Options**

Loading bucket capacity/width(ISO)	—	—	0.19m <sup>3</sup> /725mm	6.7ft <sup>3</sup> /28.5"
Digging bucket capacity/width(ISO)	0.07m <sup>3</sup> /400mm 0.10m <sup>3</sup> /500mm 0.13m <sup>3</sup> /600mm	2.5ft <sup>3</sup> /15.7" 3.5ft <sup>3</sup> /19.7" 4.6ft <sup>3</sup> /23.6"	0.14m <sup>3</sup> /585mm	4.9ft <sup>3</sup> /23.0"
Long arm STD.bucket capacity/width(ISO)	0.10m <sup>3</sup> /500mm	3.5ft <sup>3</sup> /19.7"	0.11m <sup>3</sup> /485mm	3.9ft <sup>3</sup> /19.1"
Reinforced bucket capacity/width(ISO)	0.15m <sup>3</sup> /650mm	5.3ft <sup>3</sup> /25.6"	0.18m <sup>3</sup> /685mm	6.4ft <sup>3</sup> /27.0"
Steel shoe width(incl.rubber pad attachment hose)	400mm	15.7"	400mm	15.7"
Long arm length	STD+250mm	STD+9.8"	STD+300mm	STD+11.8"
Rubber padded crawler	O		O	
TOPS Canopy	(O)Standard		(O)Standard	
Steel cab	O		O	
Canopy	O		O	
Air conditioner	O		O	
Power port/Auxiliary hydraulic flow(Theoretical)	104L/min	27.5gpm	110L/min	29.1gpm

**IHI IHI Construction Machinery Limited**  
 Kishi-Tokai Bldg., 8-4-4, Nishikamata, Ota-ku, Tokyo, 144-8577, Japan  
 Phone:81-3-5714-8844 Fax:81-3-5714-8840,8843

Photographs appearing in the catalog were taken for publication and may differ in some cases from actual objects. Specifications are subject to change without notice due to technical improvements or modifications.

Distributed by

