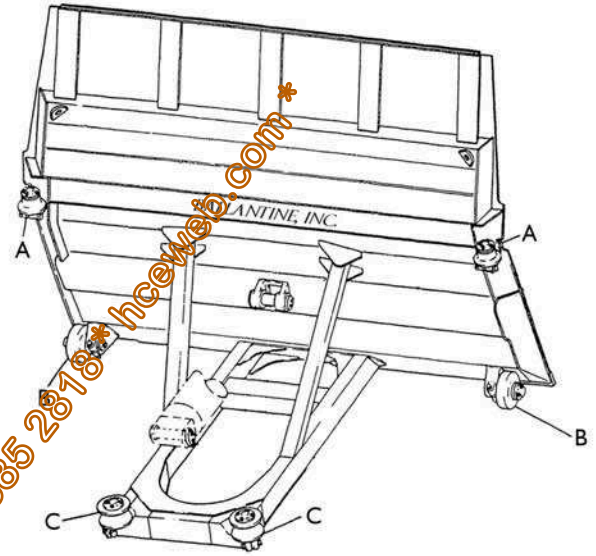


NEW PRODUCTS FROM OLD RELIABLE

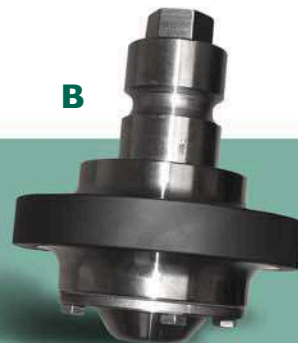
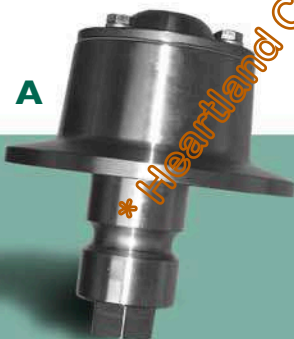
BALLANTINE, INC.



REPLACEMENT

CAT® SCRAPER ROLLERS

Part No.	Description	Old Part #	Location	Machine	MSRP
144-7289	Roller: Ejector Guide	123-5135	A	621E, 627E, 631E, 637E, 637G	\$399.45
144-7299	Roller: Ejector Carrier	123-5134	B	611, 621, 621E, 623F, 623G, 627E, 633E	\$415.65
3J-4779	Roller: Ejector Guide	N/A	A	621, 621B, 621E, 627/B, 630, 631C, 631D, 637, 637D, 641, 657, 666	\$397.85
144-7293	Roller: Ejector	4T-0669	C	621E, 623F, 623G, 627E	\$498.65
144-7314	Roller: Ejector Carrier	8W-4732	B	631E, 631G, 633E, 637E, 637G	\$619.75
144-7321	Roller: Ejector Carrier	8W-4731	B	637E, 637G, 651E, 657E	\$625.00
144-7318	Roller: Ejector	8W-2033	B	631E, 631G, 633E, 637E, 637G	\$625.00
8I-2307	Roller: Ejector	N/A	C	623G	\$189.85
9J-5972	Roller: Ejector	N/A	C	621, 627B, 627E	\$171.65



Toll Free Customer Service – 1.800.328.2424

BALLANTINE, INC.

Corp Headquarters
Anoka, MN 55303
P: 763.427.3959 / F: 763.427.2277

Branch Offices
Atlanta, GA
Ontario, CA

ballantineinc.com / parts@ballantineinc.com

© Ballantine, Inc. 2007 (All Rights Reserved)

All manufacturer's names, symbols and descriptions are used for reference purposes only and none of the parts listed are the product of these manufacturer's.