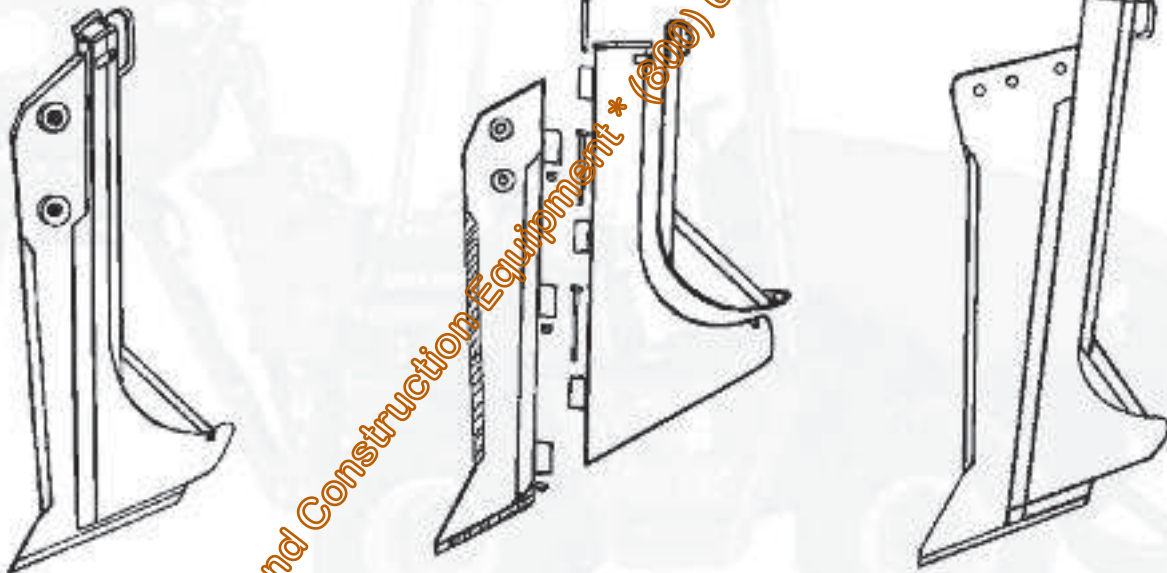




**840 McKinley St. • Anoka, MN 55303**  
**Toll Free Customer Service: 1/800-328-2424**

## Specializing in quality manufacturing of underground cable plow blades



### **Applications For:**

Cable TV • Telephone Lines • Irrigation • Electric Power  
Gas Lines • Drainage • Optic Fiber

### **Customized For:**

Ditch Witch® • Case • Bron • Ateco • Bobcat  
Burkeen • Parsons • Delta • Vermeer®

# How to Order

- 1) Determine the type of machine and plow attachment.  
(Example: Maxi Sneaker Series C with P-40 plow).
  - 2) Know what material you will be burying, including the flexibility (this can be determined by measuring the inner diameter of the spool that the material comes on from the manufacturer), the outside dimension (referred to as O.D.), and the application in which the material will be used (such as telephone, irrigation line, etc.).
  - 3) Figure out what depth the material will be buried at. This is referred to as the cover, or cover depth.
  - 4) Know whether the material will be pulled in with a pull blade or plowed in through the chute of a plow blade. Plow blade sizes that are given are generally available in a pull blade style with or without a pre-expander.
- \* Any additional information you have can be helpful, such as if this order will be the same as a previous order, the previous invoice number or purchase order number will help us locate your past order. Faxed confirmation is requested on all special orders.

Our physical and mailing address is:

## Ballantine, Inc. (Main Office)

840 McKinley St.  
Anoka, MN 55303

Centralized Customer Service (Toll Free): 1-800-328-2424

Phone: 763-427-3959

Fax: 763-427-2277

[www.ballantineinc.com](http://www.ballantineinc.com)

email: [parts@ballantineinc.com](mailto:parts@ballantineinc.com)

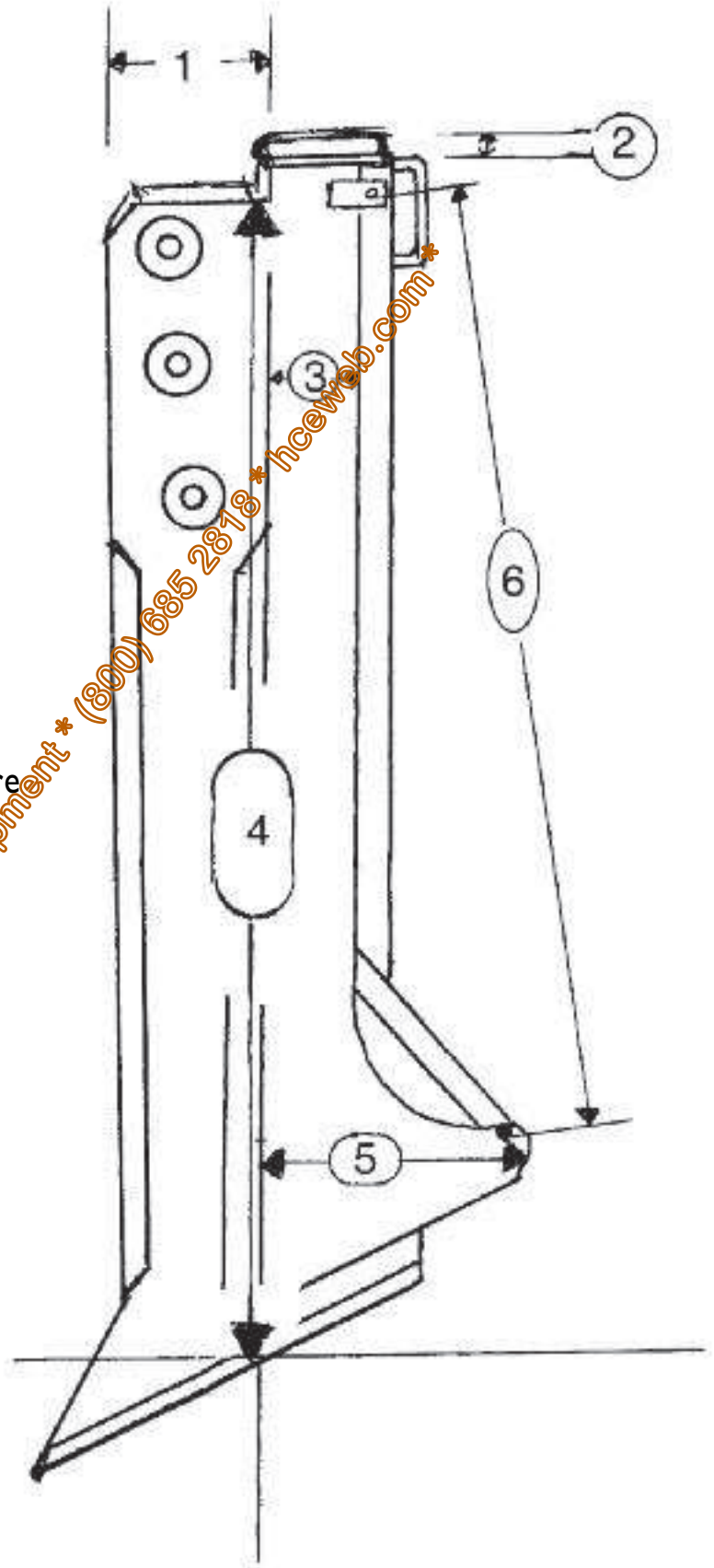
# How to Measure Your Blade

Measure the following:

- 1) The length and thickness of the mounting plate.
- 2) The inner width (I.D.) of the chute.
- 3) The depth of the chute.
- 4) The length of the blade alongside the back in front of the chute.
- 5) The length from the front of the chute to the back.
- 6) This measurement is needed only if ordering a replacement gate. Measure distance from center to center of pins and state radius of chute.

Also:

- Number of pins or bolts used to mount plow blade to plow unit
- Size of pins or bolts
- Spacing center to center of pin mounting holes



# Ditch Witch® A Series/H Series



**Ditch Witch®  
A Series**

A Series Includes:

6510      5010  
4010      R40  
7510      R65  
7610

## Plow Blade Sizes Available:

* 1/2 x 18 x 5R	3/4 x 24 x 5R	1 x 36 x 9R
* 5/8 x 18 x 5R	3/4 x 24 x 9R	1 1/4 x 36 x 9R
* 3/4 x 18 x 5R	1 x 24 x 9R	1 1/2 x 36 x 9R
* 3/4 x 18 x 9R	1 1/4 x 24 x 9R	1 1/2 x 36 x 13R
* 1 x 18 x 9R	1 1/2 x 24 x 9R	1 3/4 x 36 x 13R
* 1 1/4 x 18 x 9R	1 1/2 x 24 x 13R	2 x 36 x 13R
* 1 1/2 x 18 x 9R	1 3/4 x 24 x 13R	2 1/4 x 36 x 13R
* 1 1/2 x 18 x 13R	2 x 24 x 13R	2 1/2 x 36 x 13R
		2 3/4 x 36 x 15R
		3 x 36 x 15R
* 1/2 x 21 x 5R	* 3/4 x 30 x 5R	
* 5/8 x 21 x 5R	3/4 x 30 x 9R	
* 3/4 x 21 x 5R	1 x 30 x 9R	
* 3/4 x 21 x 9R	1 1/4 x 30 x 9R	
* 1 x 21 x 9R	1 1/2 x 30 x 9R	
* 1 1/4 x 21 x 9R	1 1/2 x 30 x 13R	
* 1 1/2 x 21 x 9R	1 3/4 x 30 x 13R	
* 1 1/2 x 21 x 13R	2 x 30 x 13R	
	2 1/4 x 30 x 13R	
	2 1/2 x 30 x 13R	



**Ditch Witch® H Series  
8020 2 Pin**

H Series Includes:

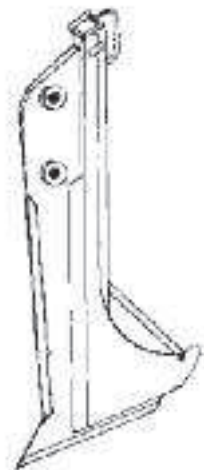
7020      8020 2 Pin  
7620      8020 3 Pin

\* Special Order Item - No Returns

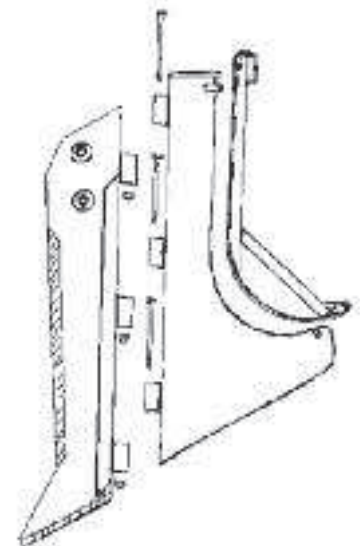
# Ditch Witch® R100/HT100/RT150/HT150

## Plow Blade Sizes Available:

* 1 x 30 x 9R	* 1 x 42 x 9R	* 2 1/4 x 48 x 13R
* 1 1/4 x 30 x 9R	* 1 1/4 x 42 x 9R	* 2 1/2 x 48 x 13R
* 1 1/2 x 30 x 9R	* 1 1/2 x 42 x 9R	* 2 3/4 x 48 x 15R
* 1 1/2 x 30 x 13R	* 1 1/2 x 42 x 13R	* 3 x 48 x 15R
* 1 3/4 x 30 x 13R	* 1 3/4 x 42 x 13R	* 3 1/4 x 48 x 15R
* 2 x 30 x 13R	* 2 x 42 x 13R	* 3 1/4 x 48 x 18R
* 2 1/4 x 30 x 13R	* 2 1/4 x 42 x 13R	* 3 1/2 x 48 x 15R
* 2 1/2 x 30 x 13R	* 2 1/2 x 42 x 13R	* 3 1/2 x 48 x 18R
	* 2 3/4 x 42 x 15R	
* 1 x 36 x 9R	* 3 x 42 x 15R	* 2 x 52 x 13R
* 1 1/4 x 36 x 9R	* 3 1/4 x 42 x 15R	* 2 1/4 x 52 x 13R
* 1 1/2 x 36 x 9R	* 3 1/4 x 42 x 18R	* 2 1/2 x 52 x 13R
* 1 1/2 x 36 x 13R	* 3 1/2 x 42 x 15R	* 2 3/4 x 52 x 15R
* 1 3/4 x 36 x 13R	* 3 1/2 x 42 x 18R	* 3 x 52 x 15R
* 2 x 36 x 13R		* 3 1/4 x 52 x 15R
* 2 1/4 x 36 x 13R	* 1 1/2 x 48 x 9R	* 3 1/4 x 52 x 18R
* 2 1/2 x 36 x 13R	* 1 1/2 x 48 x 13R	* 3 1/2 x 52 x 15R
* 2 3/4 x 36 x 15R	* 1 3/4 x 48 x 13R	* 3 1/2 x 52 x 18R
* 3 x 36 x 15R	* 2 x 48 x 13R	



**Ditch Witch®  
R100/HT100**



**Ditch Witch®  
2 Piece R100/HT100  
(Hinged Chute)**

\* Special Order Item - No Returns

# Ditch Witch® SX

Plow Blade Sizes Available: (255, 350, 400, 410)



**Ditch Witch®  
SX 400**

$\frac{1}{2} \times 12 \times 3R$	$\frac{1}{2} \times 18 \times 3R$	$\frac{1}{2} \times 24 \times 3R$
$\frac{1}{2} \times 12 \times 5R$	$\frac{1}{2} \times 18 \times 5R$	$\frac{1}{2} \times 24 \times 5R$
$\frac{5}{8} \times 12 \times 3R$	$\frac{5}{8} \times 18 \times 3R$	$\frac{5}{8} \times 24 \times 3R$
$\frac{5}{8} \times 12 \times 5R$	$\frac{5}{8} \times 18 \times 5R$	$\frac{5}{8} \times 24 \times 5R$
$\frac{3}{4} \times 12 \times 3R$	$\frac{3}{4} \times 18 \times 3R$	$\frac{3}{4} \times 24 \times 3R$
$\frac{3}{4} \times 12 \times 5R$	$\frac{3}{4} \times 18 \times 5R$	$\frac{3}{4} \times 24 \times 5R$
$1 \times 12 \times 9R$	$1 \times 18 \times 9R$	$1 \times 24 \times 9R$
$1\frac{1}{4} \times 12 \times 9R$	$1\frac{1}{4} \times 18 \times 9R$	$1\frac{1}{4} \times 24 \times 9R$

Plow Blade Sizes Available: (100)

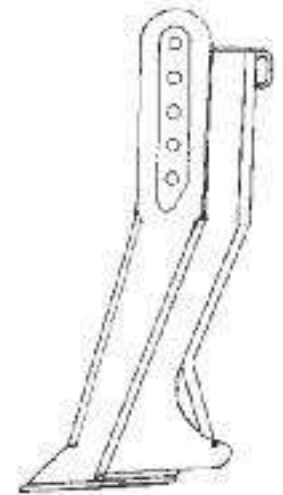
$\frac{3}{8} \times 12 \times 1\frac{1}{2}R$   
 $\frac{1}{2} \times 12 \times 1\frac{1}{2}R$

- The SX Style Plow Blade Does Not Come with a Toe

# Ditch Witch® RT 70-90-115

Plow Blade Sizes Available:

* $\frac{3}{4} \times 30 \times 9R$	* $1\frac{3}{4} \times 26-30-34 \times 13R$	* $1\frac{1}{2} \times 32-36-40 \times 9R$
* $\frac{3}{4} \times 22-26-30 \times 9R$	* $2 \times 26-30-34 \times 13R$	* $1\frac{3}{4} \times 32-36-40 \times 13R$
* $1 \times 30 \times 9R$	* $2\text{-}\frac{1}{4} \times 26-30-34 \times 13R$	* $2 \times 32-36-40 \times 13R$
* $1 \times 22-26-30 \times 9R$	* $2\text{-}\frac{1}{2} \times 26-30-34 \times 13R$	* $2\frac{1}{4} \times 32-36-40 \times 13R$
* $1\frac{1}{4} \times 30 \times 9R$	* $1 \times 36 \times 9R$	* $2\frac{1}{2} \times 32-36-40 \times 13R$
* $1\frac{1}{4} \times 22-26-30 \times 9R$	* $1 \times 28-32-36 \times 9R$	
* $1\frac{1}{2} \times 30 \times 9R$	* $1\frac{1}{4} \times 36 \times 9R$	* $1 \times 42 \times 9R$
* $1\frac{1}{2} \times 22-26-30 \times 9R$	* $1\frac{1}{4} \times 28-32-36 \times 9R$	* $1 \times 34-38-42 \times 9R$
* $1\frac{3}{4} \times 30 \times 13R$	* $1\frac{1}{2} \times 36 \times 9R$	* $1\frac{1}{4} \times 42 \times 9R$
* $1\frac{3}{4} \times 22-26-30 \times 13R$	* $1\frac{1}{2} \times 28-32-36 \times 9R$	* $1\frac{1}{4} \times 34-38-42 \times 9R$
* $2 \times 30 \times 13R$	* $1\frac{3}{4} \times 36 \times 13R$	* $1\frac{1}{2} \times 42 \times 9R$
* $2 \times 22-26-30 \times 13R$	* $1\frac{3}{4} \times 28-32-36 \times 13R$	* $1\frac{1}{2} \times 34-38-42 \times 9R$
* $2\frac{1}{4} \times 30 \times 13R$	* $2 \times 36 \times 13R$	* $1\frac{3}{4} \times 42 \times 9R$
* $2\frac{1}{4} \times 22-26-30 \times 13R$	* $2 \times 28-32-36 \times 13R$	* $1\frac{3}{4} \times 34-38-42 \times 13R$
* $2\frac{1}{2} \times 30 \times 13R$	* $2\frac{1}{4} \times 36 \times 13R$	* $2 \times 42 \times 9R$
* $2\frac{1}{2} \times 22-26-30 \times 13R$	* $2\frac{1}{4} \times 28-32-36 \times 13R$	* $2 \times 34-38-42 \times 13R$
	* $2\frac{1}{2} \times 36 \times 13R$	* $2\frac{1}{4} \times 42 \times 9R$
* $\frac{3}{4} \times 24-28-32 \times 9R$	* $2\frac{1}{2} \times 28-32-36 \times 13R$	* $2\frac{1}{4} \times 34-38-42 \times 13R$
* $1 \times 24-28-32 \times 9R$		* $2\frac{1}{2} \times 42 \times 9R$
* $1\frac{1}{4} \times 24-28-32 \times 9R$	* $1 \times 30-34-38 \times 9R$	* $2\frac{1}{2} \times 34-38-42 \times 13R$
* $1\frac{1}{2} \times 24-28-32 \times 9R$	* $1\frac{1}{4} \times 30-34-38 \times 9R$	
* $1\frac{3}{4} \times 24-28-32 \times 13R$	* $1\frac{1}{2} \times 30-34-38 \times 9R$	
* $2 \times 24-28-32 \times 13R$	* $1\frac{3}{4} \times 30-34-38 \times 13R$	
* $2\frac{1}{4} \times 24-28-32 \times 13R$	* $2 \times 30-34-38 \times 13R$	
* $2\frac{1}{2} \times 24-28-32 \times 13R$	* $2\frac{1}{4} \times 30-34-38 \times 13R$	
	* $2\frac{1}{2} \times 30-34-38 \times 13R$	
* $1 \times 26-30-34 \times 9R$		
* $1\frac{1}{4} \times 26-30-34 \times 9R$	* $1 \times 32-36-40 \times 9R$	
* $1\frac{1}{2} \times 26-30-34 \times 9R$	* $1\frac{1}{4} \times 32-36-40 \times 9R$	



**Ditch Witch® RT 115  
(Multi-Depth)**



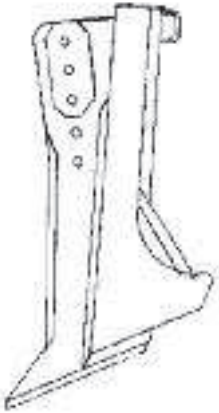
**Ditch Witch® RT 115  
(Single-Depth)**

\* Special Order Item – No Returns

# Case/Burkeen\*\*

Plow Blade Sizes Available For:

Machines: Maxi Sneaker Series B and C, Mini Sneaker, 360, 460, 560, DH4, DH5, DH7, 30+4, 40+4, 70+4 Plow Models: P-40, P-60, P-75



**Case Maxi Sneaker  
P-40 Multi-Depth 13R**

- 1/2 x 12 x 5R
- 1/2 x 6-9-12 x 5R
- 5/8 x 12 x 5R
- 5/8 x 6-9-12 x 5R
- 3/4 x 12 x 5R
- 3/4 x 6-9-12 x 5R
- 3/4 x 12 x 9R
- 3/4 x 6-9-12 x 9R
- 1 x 12 x 9R
- 1 x 6-9-12 x 9R
- 1 1/4 x 12 x 9R
- 1 1/4 x 6-9-12 x 9R

- 1 1/2 x 12-15-18 x 9R
- 1 1/2 x 18 x 13R
- 1 1/2 x 12-15-18 x 13R

- 1/2 x 21 x 5R
- 1/2 x 15-18-21 x 5R
- 5/8 x 21 x 5R
- 5/8 x 15-18-21 x 5R
- 3/4 x 21 x 5R
- 3/4 x 15-18-21 x 5R
- 3/4 x 21 x 9R
- 3/4 x 15-18-21 x 9R



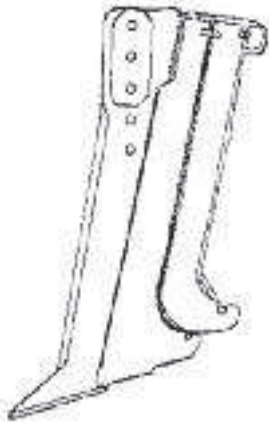
**Case Maxi Sneaker  
P-40 Multi-Depth  
Combo Pull/Plow**

- 1 x 21 x 9R
- 1 x 15-18-21 x 9R
- 1 1/4 x 21 x 9R
- 1 1/4 x 15-18-21 x 9R
- 1 1/2 x 21 x 9R
- 1 1/2 x 15-18-21 x 9R
- 1 1/2 x 21 x 13R
- 1 1/2 x 15-18-21 x 13R

- 1/2 x 24 x 5R
- 1/2 x 18-21-24 x 5R
- 5/8 x 24 x 5R
- 5/8 x 18-21-24 x 5R

- 3/4 x 24 x 5R
- 3/4 x 18-21-24 x 5R
- 3/4 x 24 x 9R
- 3/4 x 18-21-24 x 9R

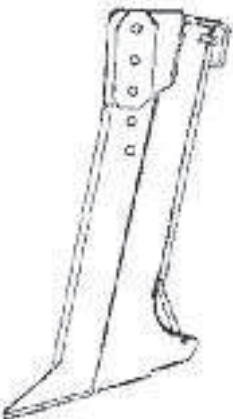
- 1 x 24 x 9R
- 1 x 18-21-24 x 9R
- 1 1/4 x 24 x 9R
- 1 1/4 x 18-21-24 x 9R
- 1 1/2 x 24 x 9R
- 1 1/2 x 18-21-24 x 9R
- 1 1/2 x 24 x 13R
- 1 1/2 x 18-21-24 x 13R



**Case Maxi Sneaker  
P-40 Multi-Depth 9R  
With 5R Piggyback**

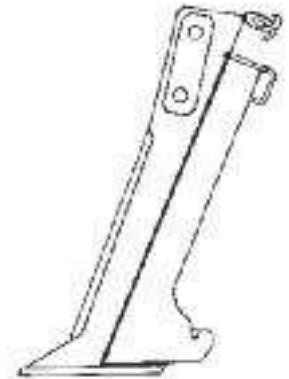
- 1/2 x 15 x 5R
- 1/2 x 9-12-15 x 5R
- 5/8 x 15 x 5R
- 5/8 x 9-12-15 x 5R
- 3/4 x 15 x 5R
- 3/4 x 9-12-15 x 5R
- 3/4 x 15 x 9R
- 3/4 x 9-12-15 x 9R
- 1 x 15 x 9R
- 1 x 9-12-15 x 9R
- 1 1/4 x 12 x 9R
- 1 1/4 x 9-12-15 x 9R

- 1/2 x 18 x 5R
- 1/2 x 12-15-18 x 5R
- 5/8 x 18 x 5R
- 5/8 x 12-15-18 x 5R
- 3/4 x 18 x 5R
- 3/4 x 12-15-18 x 5R
- 3/4 x 18 x 9R
- 3/4 x 12-15-18 x 9R
- 1 x 18 x 9R
- 1 x 12-15-18 x 9R
- 1 1/4 x 18 x 9R
- 1 1/4 x 12-15-18 x 9R
- 1 1/2 x 18 x 9R

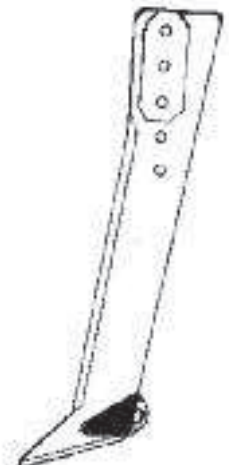


**Case Maxi Sneaker  
P-40 Multi-Depth 9R**

\*\* Some of the above blades in the P-40 style will also fit Burkeen machines. Please call for more information.



**Case Maxi Sneaker  
P-40 Single Depth 5R**



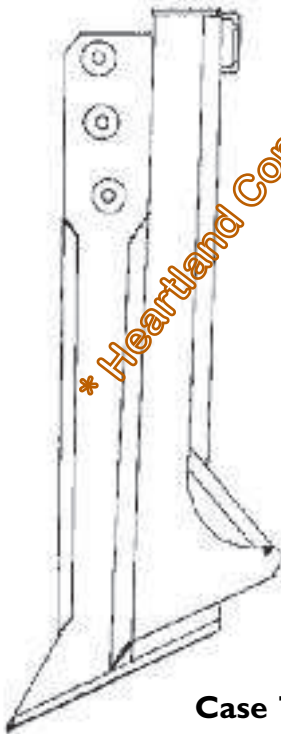
**Case Maxi Sneaker  
P-40 Multi-Depth  
Pull Blade**

# Case

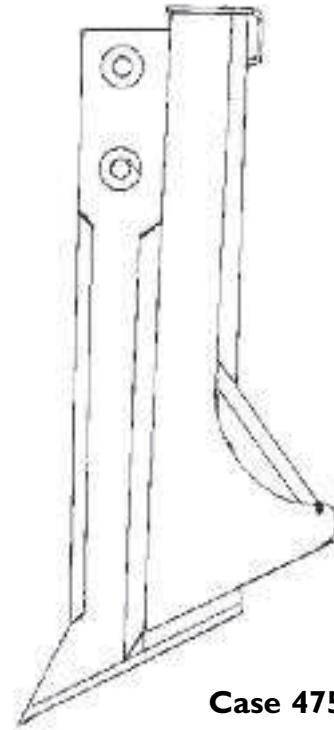
## Plow Blade Sizes Available For:

Machines: 475, 560, 660, 760, 860, 960 Plow Models: P-85, P-95

$\frac{3}{4}$ x 24 x 5R	1 x 24-30 x 9R	$1\frac{1}{4}$ x 36 x 9R
$\frac{3}{4}$ x 18-24 x 5R	$1\frac{1}{4}$ x 30 x 9R	$1\frac{1}{4}$ x 30-36 x 9R
$\frac{3}{4}$ x 24 x 9R	$1\frac{1}{4}$ x 24-30 x 9R	$1\frac{1}{2}$ x 36 x 9R
$\frac{3}{4}$ x 18-24 x 9R	$1\frac{1}{2}$ x 30 x 9R	$1\frac{1}{2}$ x 30-36 x 9R
1 x 24 x 9R	$1\frac{1}{2}$ x 24-30 x 9R	$1\frac{1}{2}$ x 36 x 13R *
1 x 18-24 x 9R	$1\frac{1}{2}$ x 30 x 13R	$1\frac{1}{2}$ x 30-36 x 13R
$1\frac{1}{4}$ x 24 x 9R	$1\frac{1}{2}$ x 24-30 x 13R	$1\frac{3}{4}$ x 36 x 13R
$1\frac{1}{4}$ x 18-24 x 9R	$1\frac{3}{4}$ x 30 x 13R	$1\frac{3}{4}$ x 30-36 x 13R
$1\frac{1}{2}$ x 24 x 9R	$1\frac{3}{4}$ x 24-30 x 13R	2 x 36 x 13R
$1\frac{1}{2}$ x 18-24 x 9R	2 x 30 x 13R	2 x 30-36 x 13R
$1\frac{1}{2}$ x 24 x 13R	2 x 24-30 x 13R	$2\frac{1}{4}$ x 36 x 13R
$1\frac{1}{2}$ x 18-24 x 13R	$2\frac{1}{4}$ x 30 x 13R	$2\frac{1}{4}$ x 30-36 x 13R
$1\frac{3}{4}$ x 24 x 13R	$2\frac{1}{4}$ x 24-30 x 13R	$2\frac{1}{2}$ x 36 x 13R
$1\frac{3}{4}$ x 18-24 x 13R	$2\frac{1}{2}$ x 30 x 13R	$2\frac{1}{2}$ x 30-36 x 13R
2 x 24 x 13R	$2\frac{1}{2}$ x 24-30 x 13R	$2\frac{3}{4}$ x 36 x 15R
2 x 18-24 x 13R		$2\frac{3}{4}$ x 30-36 x 15R
	$\frac{3}{4}$ x 36 x 5R	3 x 36 x 15R
$\frac{3}{4}$ x 30 x 5R	$\frac{3}{4}$ x 30-36 x 5R	3 x 36 x 18R
$\frac{3}{4}$ x 24-30 x 5R	$\frac{3}{4}$ x 36 x 9R	3 x 30-36 x 15R
$\frac{3}{4}$ x 30 x 9R	$\frac{3}{4}$ x 30-36 x 9R	3 x 30-36 x 18R
$\frac{3}{4}$ x 24-30 x 9R	1 x 36 x 9R	
1 x 30 x 9R	1 x 30-36 x 9R	



**Case 760 P-85/P-95  
Multi-Depth**



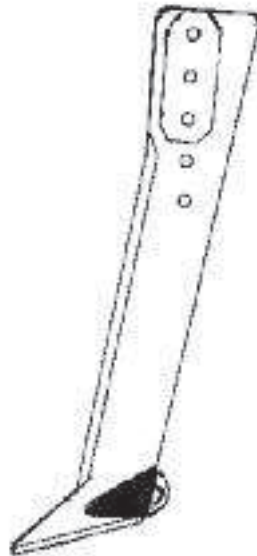
**Case 475**

## Plow Blade Sizes Available For: LM-18, LM-25, LM-35, LM-40, LM-42, 4150, 5750

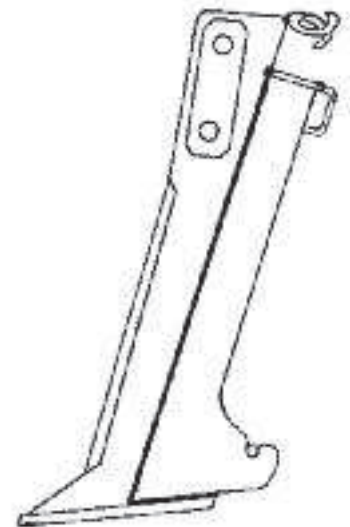
$\frac{1}{2}$ x 12 x 5R	$\frac{1}{2}$ x 18 x 5R	1 x 15-18-21 x 9R
$\frac{1}{2}$ x 6-9-12 x 5R	$\frac{1}{2}$ x 12-15-18 x 5R	$\frac{1}{4}$ x 21 x 9R
$\frac{5}{8}$ x 12 x 5R	$\frac{5}{8}$ x 18 x 5R	$\frac{1}{4}$ x 15-18-21 x 9R
$\frac{5}{8}$ x 6-9-12 x 5R	$\frac{5}{8}$ x 12-15-18 x 5R	$\frac{1}{2}$ x 21 x 9R
$\frac{3}{4}$ x 12 x 5R	$\frac{3}{4}$ x 18 x 5R	$\frac{1}{2}$ x 15-18-21 x 9R*
$\frac{3}{4}$ x 6-9-12 x 5R	$\frac{3}{4}$ x 12-15-18 x 5R	$\frac{1}{2}$ x 21 x 13R
$\frac{3}{4}$ x 12 x 9R	$\frac{3}{4}$ x 18 x 9R	$\frac{1}{2}$ x 15-18-21 x 13R
$\frac{3}{4}$ x 6-9-12 x 9R	$\frac{3}{4}$ x 12-15-18 x 9R	
1 x 12 x 9R	1 x 18 x 9R	$\frac{1}{2}$ x 24 x 5R
1 x 6-9-12 x 9R	1 x 12-15-18 x 9R	$\frac{1}{2}$ x 18-21-24 x 5R
$\frac{1}{4}$ x 12 x 9R	$\frac{1}{4}$ x 18 x 9R	$\frac{5}{8}$ x 24 x 5R
$\frac{1}{4}$ x 6-9-12 x 9R	$\frac{1}{4}$ x 12-15-18 x 9R	$\frac{5}{8}$ x 18-21-24 x 5R
	$\frac{1}{2}$ x 18 x 9R	$\frac{3}{4}$ x 24 x 5R
$\frac{1}{2}$ x 15 x 5R	$\frac{1}{2}$ x 12-15-18 x 9R	$\frac{3}{4}$ x 18-21-24 x 5R
$\frac{1}{2}$ x 9-12-15 x 5R	$\frac{1}{2}$ x 18 x 13R	$\frac{3}{4}$ x 24 x 9R
$\frac{5}{8}$ x 15 x 5R	$\frac{1}{2}$ x 12-15-18 x 13R	$\frac{3}{4}$ x 18-21-24 x 9R
$\frac{5}{8}$ x 9-12-15 x 5R		1 x 24 x 9R
$\frac{3}{4}$ x 15 x 5R	$\frac{1}{2}$ x 21 x 5R	1 x 18-21-24 x 9R
$\frac{3}{4}$ x 9-12-15 x 5R	$\frac{1}{2}$ x 15-18-21 x 5R	$\frac{1}{4}$ x 24 x 9R
$\frac{3}{4}$ x 15 x 9R	$\frac{5}{8}$ x 21 x 5R	$\frac{1}{4}$ x 18-21-24 x 9R
$\frac{3}{4}$ x 9-12-15 x 9R	$\frac{5}{8}$ x 15-18-21 x 5R	$\frac{1}{2}$ x 24 x 9R
1 x 15 x 9R	$\frac{3}{4}$ x 21 x 5R	$\frac{1}{2}$ x 18-21-24 x 9R
1 x 9-12-15 x 9R	$\frac{3}{4}$ x 15-18-21 x 5R	$\frac{1}{2}$ x 24 x 13R
$\frac{1}{4}$ x 15 x 9R	$\frac{3}{4}$ x 21 x 9R	$\frac{1}{2}$ x 18-21-24 x 13R
$\frac{1}{4}$ x 9-12-15 x 9R	$\frac{3}{4}$ x 15-18-21 x 9R	
	1 x 21 x 9R	



**Vermeer® LM-40  
Multi-Depth 13R**



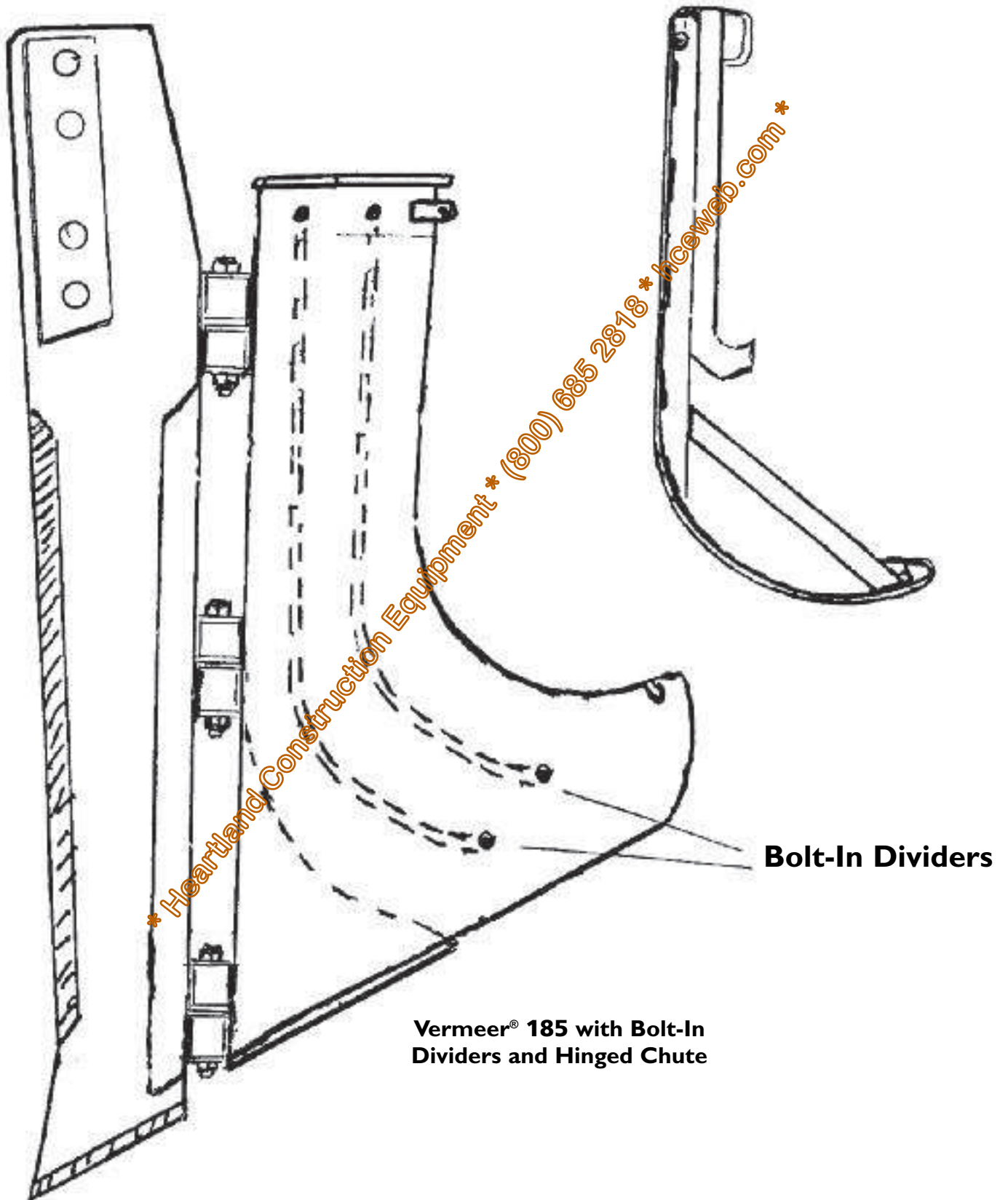
**Vermeer® LM-40  
Multi-Depth Pull Blade**



**Vermeer® LM-40  
Single-Depth**

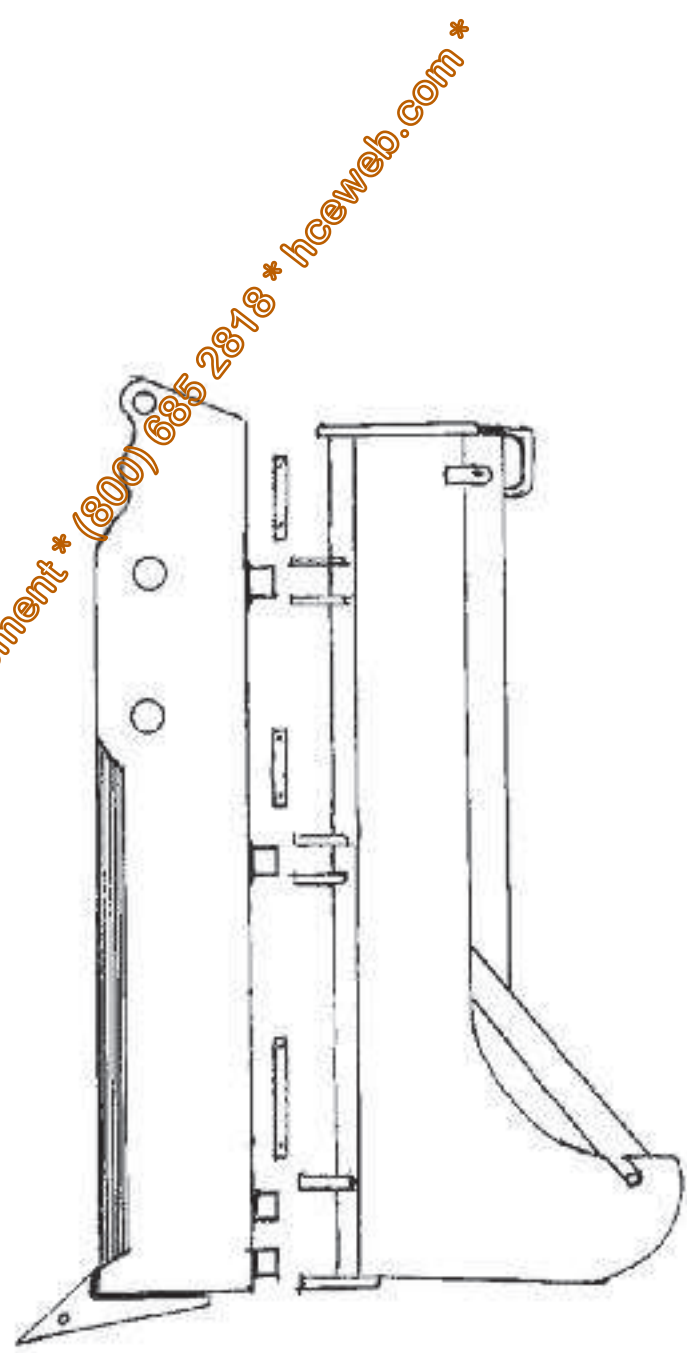
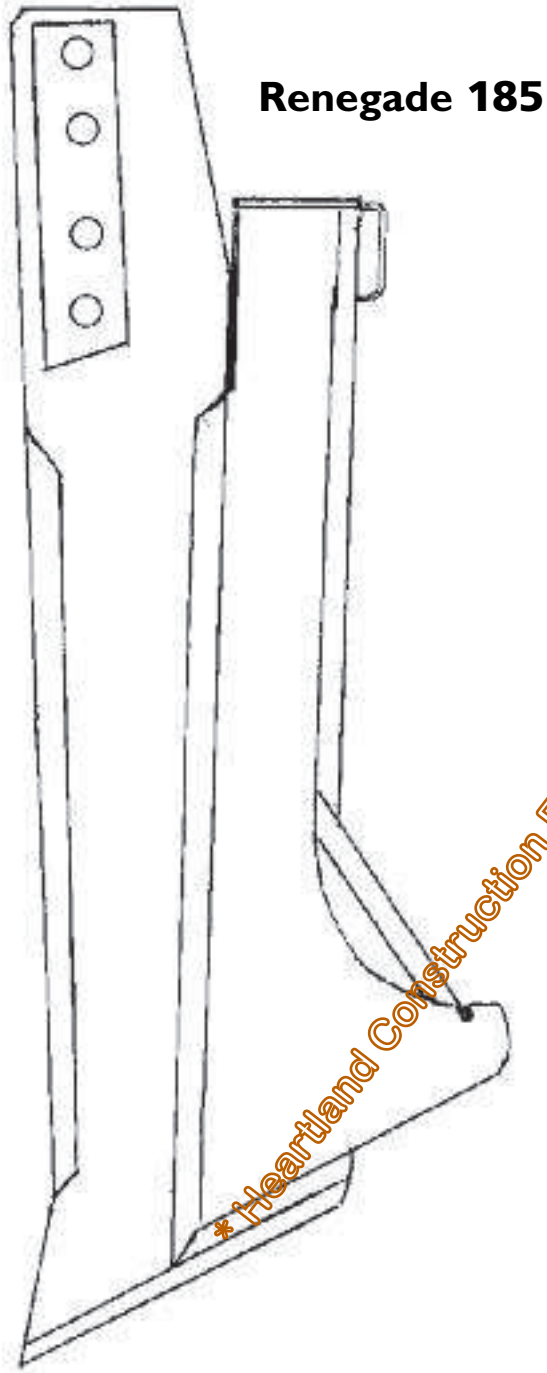
# Vermeer®

V-475, M-485, M-495, 185, 8550, Flextrack 75, Flextrack 115  
These blades are special order items; please call for assistance.



# Renegade 185; Ateco

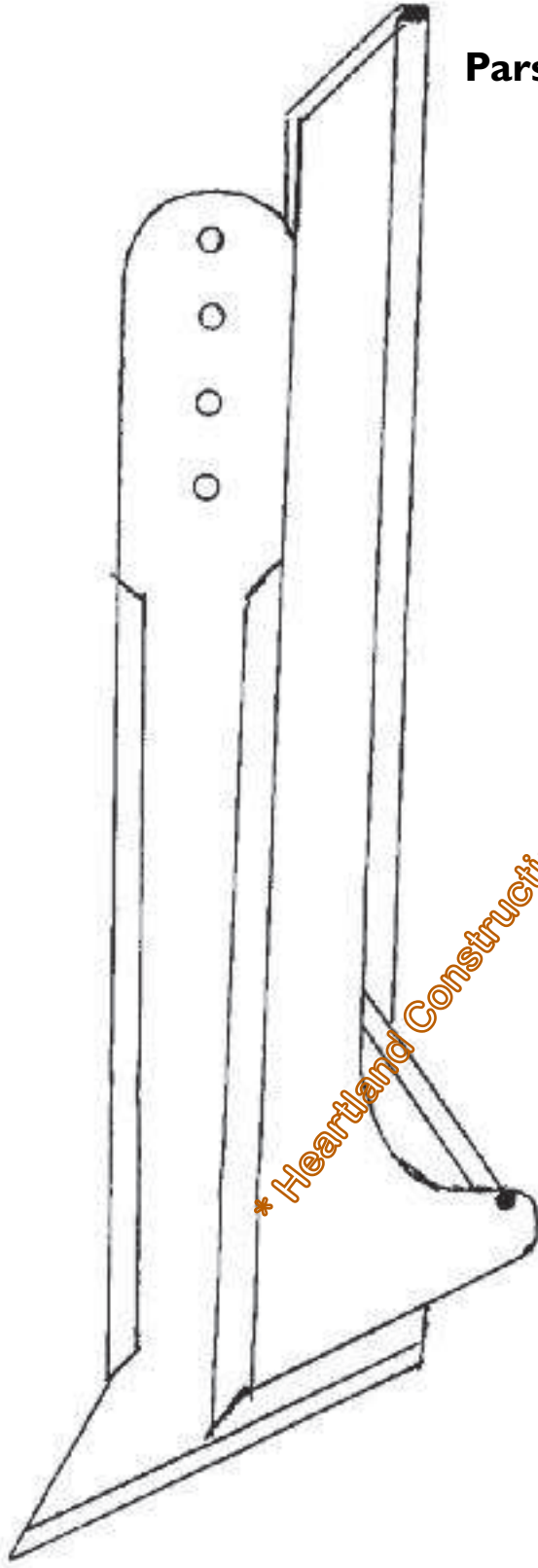
These blades are special order items; please call for assistance.



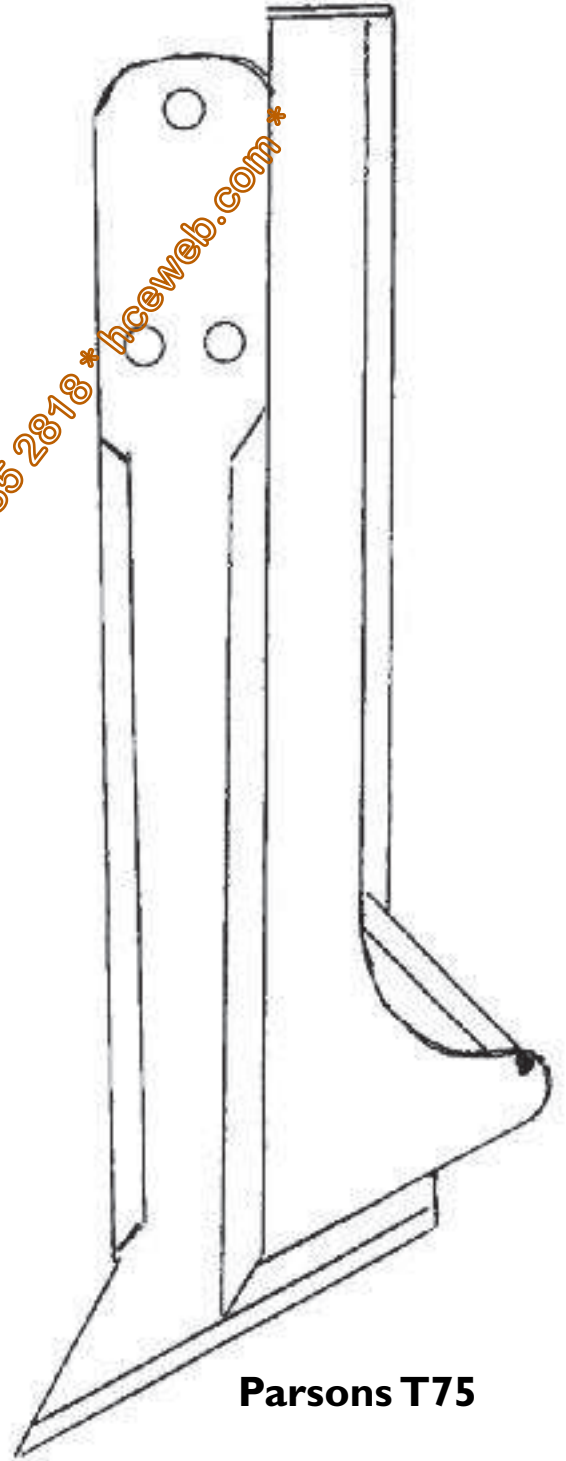
# Parsons

These blades are special order items; please call for assistance.

**Parsons DP60**



**Parsons T75**

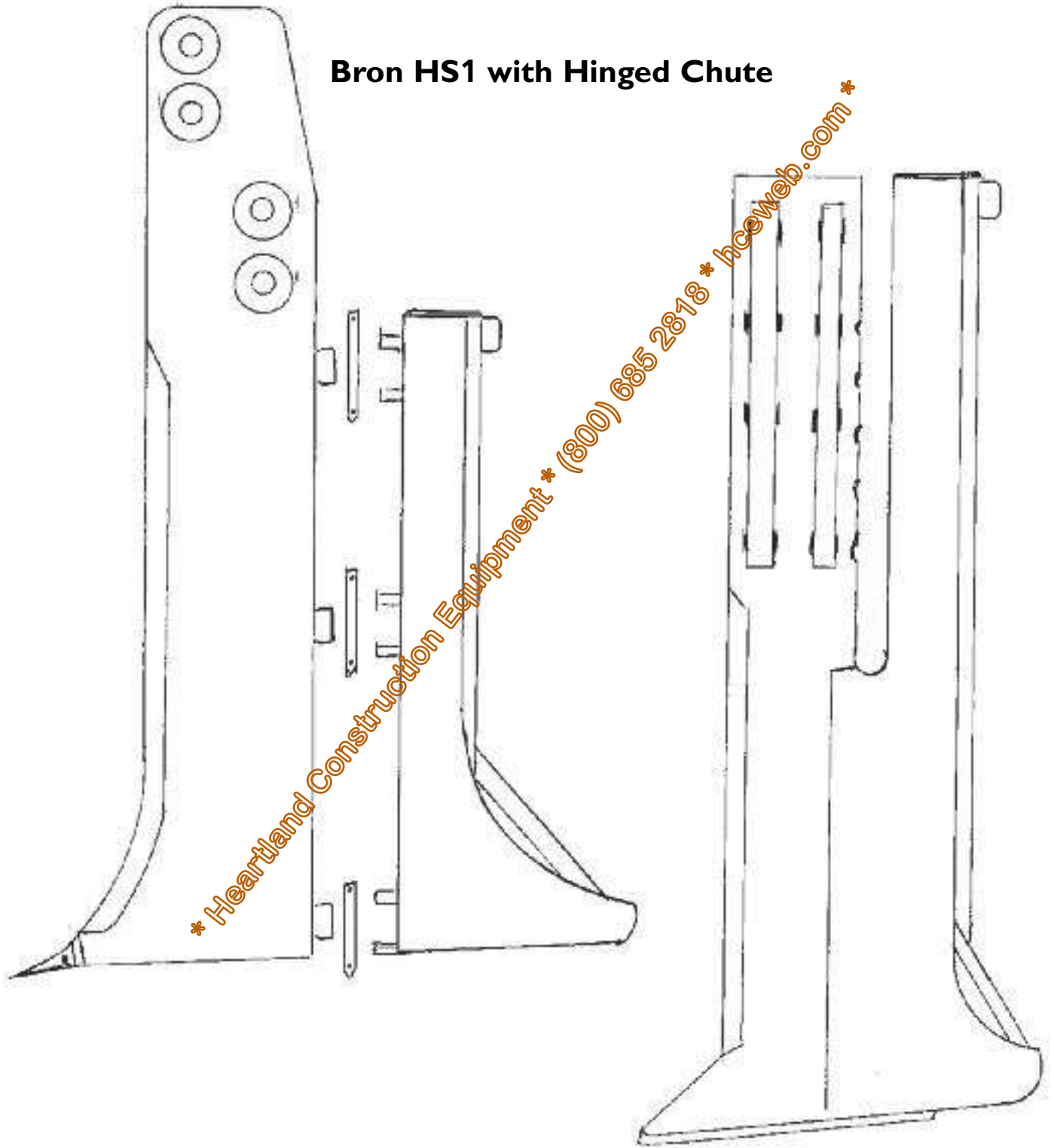


*\* Heartland Construction Equipment \* (800) 685 2878 \* hceweb.com \**

# Bron

These blades are special order items; please call for assistance.

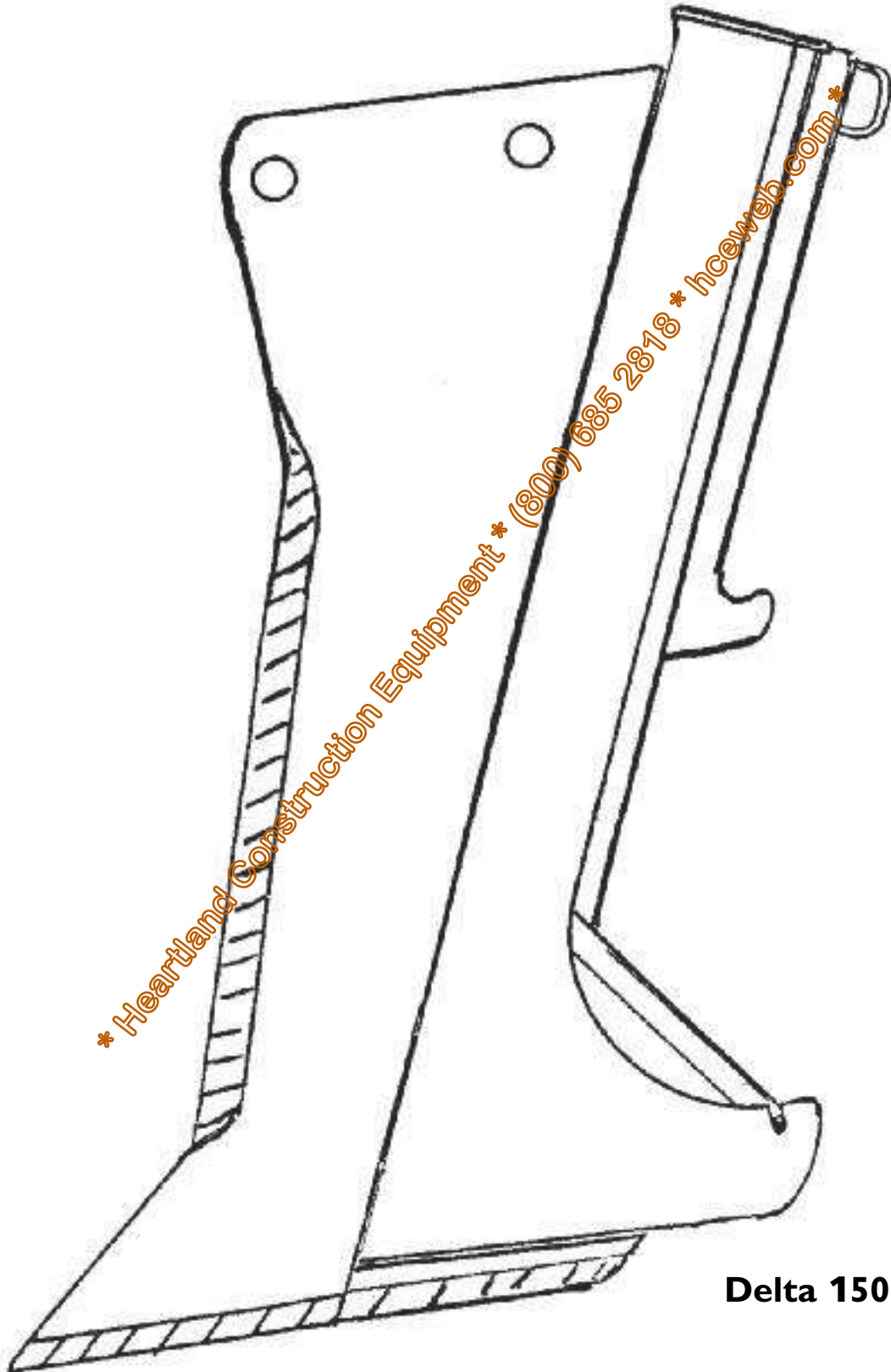
**Bron HS1 with Hinged Chute**



**Bron HS2**

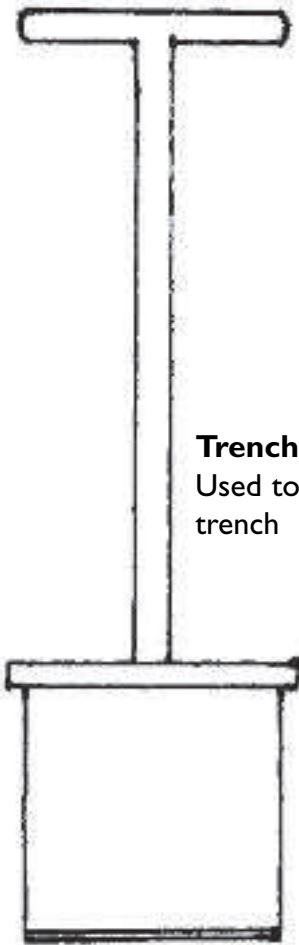
# Delta

These blades are special order items; please call for assistance.



**Delta 150C**

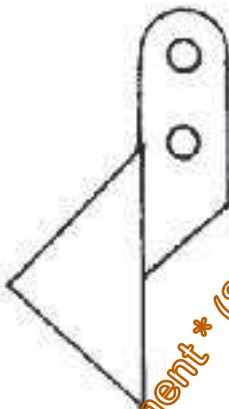
# Accessories



**Trench Opening Blade:**  
Used to manually open a trench



**Adapter:** Custom made to use a blade made for one type of plow on another. Several types available – call for information.



**Pin-on Sod Cutter:** Custom made to use existing plow blade pins – call for information.



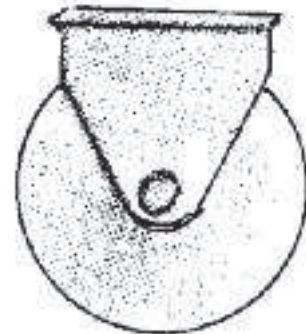
**Pull Grip:** Also known as a “chinese finger”, a pull grip holds cable behind a pull blade.  
Working ranges:  $\frac{3}{4}$ "– $1\frac{1}{4}$ ",  $\frac{3}{4}$ "–2", 2"– $2\frac{3}{4}$ ",  $2\frac{3}{4}$ "– $3\frac{1}{2}$ ".



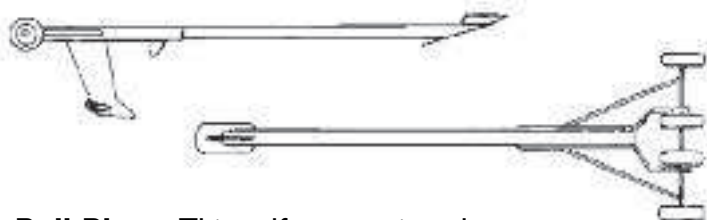
**Quick Link:** Simple attachment hardware for use with smaller pull blades.  $\frac{3}{8}$ ",  $\frac{7}{16}$ ",  $\frac{1}{2}$ ".



**Screw-Pin Clevis:**  
Attachment hardware for use with larger pull blades.  $\frac{7}{16}$ ",  $\frac{1}{2}$ ",  $\frac{3}{4}$ ", 1".



**Sod Cutter:** This attachment for a Case Maxi Sneaker with a P-40 plow will cut open sod.



**Pull Plow:** This self-supporting plow can be used to pull in small jobs without the use of a vibratory plow.



**Pull Bullet:** Trails behind a pull blade to clean the path made by the blade’s pre-expander. Recommend  $\frac{1}{2}$ " larger than what is being pulled in. 1,  $1\frac{1}{2}$ ", 2",  $2\frac{1}{2}$ " 3",  $3\frac{1}{2}$ " 4" and larger.

Ballantine Inc. specializes in the custom-made plow blade. If you have any special needs such as outdated or discontinued plow models, blade rebuilds, etc., we will be happy to help in any way we can. Please do not hesitate to call.



Visit our website: [www.ballantineinc.com](http://www.ballantineinc.com)



## BALLANTINE, INC. PRODUCT LINES

- Trencher Chain, Teeth, Sprockets, Rollers (booms, augers, bearings and more)
- Terminator® Chain Assemblies and Teeth
- Trench-All® Chain and Chain Assemblies
- HDD Downhole Tools (drill rod, backreamers, pilot bits, drive chucks and more)
- Elevating Scraper Chain, Flights, Sprockets, Rollers and more
- Carbide Construction Tools (rotary bits, blocks and more)
- Roller Chain, Sprockets, Leaf Chain
- Rockwheel/Rocksaw Segments, Cutters
- Vibratory and Static Plow Blades, Pull Blades
- Crane/Dragline Drive Chains
- Vertical Augers & Accessories (post-hole, digger derricks, pressure diggers)
- Recycling Tools for Bandit® Beast®, Morbark® and other recyclers and grinders
- Tiller Tines, Power Rake Blades, Shafts
- Backhoe Buckets, Teeth
- Stump Cutter Teeth, Holders
- State-Of-The-Art Robotic Hardfacing Equipment (Unlimited Capabilities, Expert Programmers, Expert Operators)



### Ballantine, Inc. (Main Office)

840 McKinley St. • Anoka, MN 55303

Centralized Customer Service (Toll Free): 1-800-328-2424

Phone: 763-427-3959

Fax: 763-427-2277

[www.ballantineinc.com](http://www.ballantineinc.com)

email: [parts@ballantineinc.com](mailto:parts@ballantineinc.com)

### Ballantine, Inc. (Branch Office)

675 Wesleyan Dr. SW • Atlanta, GA 30336

### Ballantine, Inc. (Branch Office)

801 Dupont, Suite G • Ontario, CA 91761

Centralized Customer Service (Toll Free): 1-800-328-2424

*\* Heartland Construction Equipment \* (800) 685 2878 \* [hcweb.com](http://hcweb.com) \**